

SUPER SINGLE FENDERS

DESIGNED SPECIFICALLY FOR WIDE-BASE TIRES

MINIMIZER PRODUCTS

• TESTED AND TORTURED™ •
DAILY BY TRUCKERS FOR TRUCKERS



MINIMIZER.COM | TESTED & TORTURED | 800.248.3855

MINIMIZER™ PRODUCTS | ON THE TRUCK:

SUPER SINGLE FENDERS



INTRODUCING MINIMIZER™ SUPER SINGLE FENDERS!

As the trucking industry continues to focus on efficiency; wide-base tires have proven to be one area to save on weight and in turn lower fuel expenses. Minimzer's new Super Single Fenders compliment the wide-base tire with a slim design that fits perfectly to cut weight and wind drag.

With an outstanding reputation of quality, durability, and style, our fenders will enhance your truck's appearance and lifespan. Minimzer fenders never rust because they are a proprietary Minimzer material. The color is molded throughout so chips, scuffs and scratches can't be seen. The fender never needs to be painted and never fades. The Minimzer fender itself should never need maintenance other than the occasional wash using any all-purpose cleaner.

NEVER NEEDS PAINT: Color is molded throughout, so chips, scuffs and scratches can't be seen.

NEVER FADES: UV inhibitors are built into the material.

NEVER RUSTS: Material is 100% polyethylene.

NEVER STRESS CRACKS: The unique material is not affected by road conditions.

NEVER NEEDS POLISHING: Simply clean with soap and water.

LIKE ALL MINIMIZER POLY FENDERS, THE NEW SUPER SINGLE FENDERS ARE GUARANTEED FOR LIFE!

MIN2220 FENDER SERIES

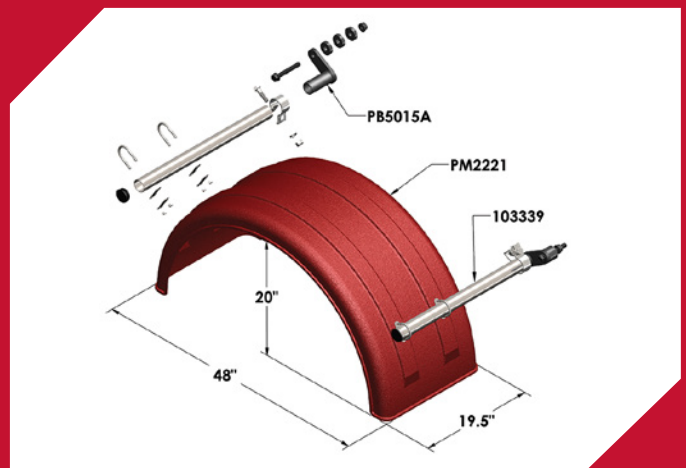


MIN2220 - THE SS TWIN

- The MIN2220 is designed to fit wide-base tires on a single, tandem, or multi axle tractor or trailer with 22.5" or 24.5" wheels.
- The set consists of 2 pieces (2 - PM2221 single fenders).
- The total weight of the MIN2220 fender kit is less than 24 lbs.



PART # 103144
STAINLESS STEEL
INSTALLATION KIT:



Part numbers for each color can be found at minimizer.com

MIN9020 FENDER SERIES

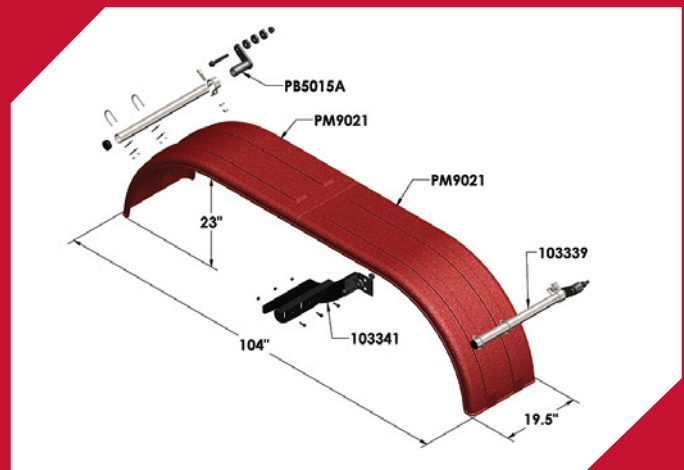


MIN9020 - THE SS BRUTE

- The MIN9020 is designed to fit wide-base tires on tandem axle tractors or trailers as a tandem fender.
- The MIN9020 set consists of 4 pieces (4-PM9021 fender sections).
- The total weight of the MIN9020 fender kit is less than 42 lbs.



PART # 103100
STAINLESS STEEL
INSTALLATION KIT:



Part numbers for each color can be found at minimizer.com

MIN9070 FENDER SERIES

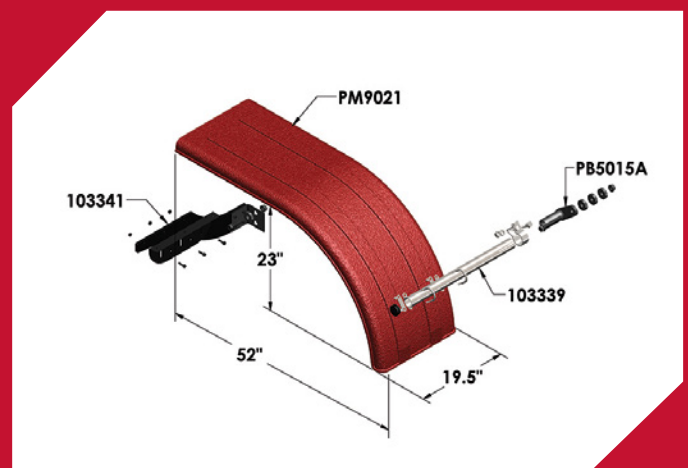


MIN9070 - THE SS HALF BRUTE

- The MIN9070 is designed to fit wide-base tires on tandem axle tractors or trailers as a half fender.
- The MIN9070 set consists of 2 pieces (2-PM9021 fender sections).
- The total weight of the MIN9070 fender kit is less than 21 lbs.



PART # 103143
STAINLESS STEEL
INSTALLATION KIT:



Part numbers for each color can be found at minimizer.com

MIN4020 FENDER SERIES

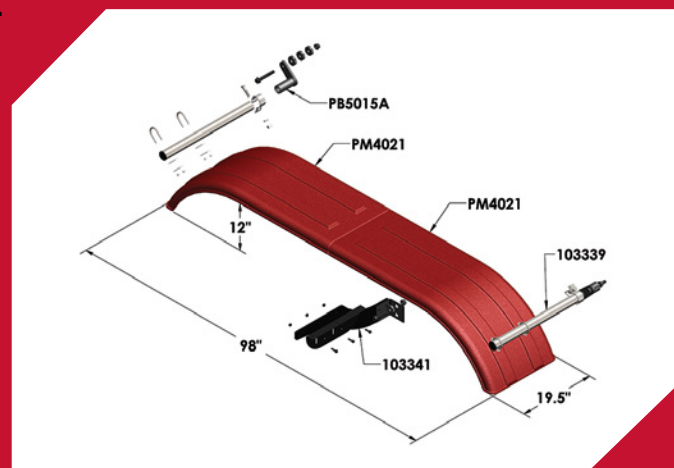


MIN4020 - THE SS WORK HORSE

- The MIN4020 is designed to fit wide-base tires on tandem axle tractors or trailers with 52" - 54" axle spacing (MINTR4020 is also available for 48" axle spacing commonly found on rear of tank trailers).
- The MIN4020 set consists of 4 pieces (4-PM4021 fender sections shown below).
The MINTR4020 set consists of 4 pieces (4-PMTR4021 fender sections at 94 inches long).
- The total weight of the MIN4020 fender kit is less than 32 lbs.



PART # 103100
STAINLESS STEEL
INSTALLATION KIT:



Part numbers for each color can be found at minimizer.com



MINIMIZER PRODUCTS
• **TESTED AND TORTURED™** •
DAILY BY TRUCKERS FOR TRUCKERS

Leveraging more than 30 years of manufacturing expertise at its state-of-the-art manufacturing facility in Blooming Prairie, Minnesota, Minimizer continues to add to its numerous product lines while maintaining their 'Tested & Tortured' reputation.

Minimizer manufactures industry-leading light kits, mud flaps, tool boxes, work benches and other accessories. Their most recent innovations include the ONLY Custom Molded Floor Mats in the world for semi trucks, the revolutionary 'whole body' Minimizer Truck Seat System, and the recently released Long Haul Series Mattress.

Minimizer has been family owned and operated for three generations. The company manufactures its products in the USA and makes everything tough enough to please tough people in a tough industry.



Manufactured by Spray Control Systems, Inc. (SCSI)
500 Minimizer Way, Blooming Prairie, MN 55917
800.248.3855 • Fax: 507.583.7540
www.minimizer.com